

FLX

B a c k - T o - B a c k S e r v i c e s B e n c h C a t a l o g



FLX

Back-to-Back Services Bench



Description

The Formaspace FLX is a highly versatile, component-welded, steel-framed lab bench that ships knocked-down for easier, cost-effective shipping. Designed for life sciences, laboratories, research facilities, and classrooms, FLX is engineered to optimize space and efficiency while offering flexibility in configuration and installation.

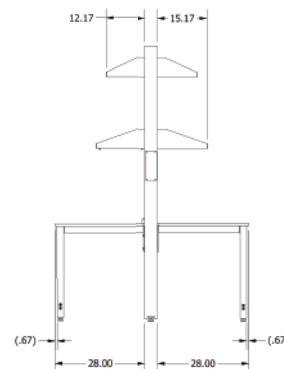
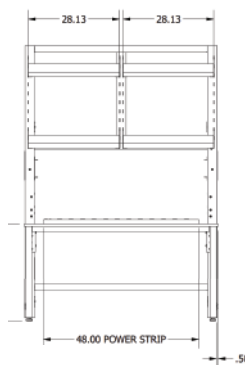
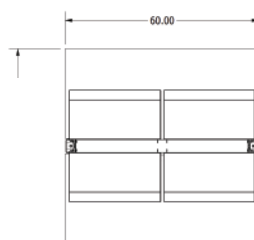
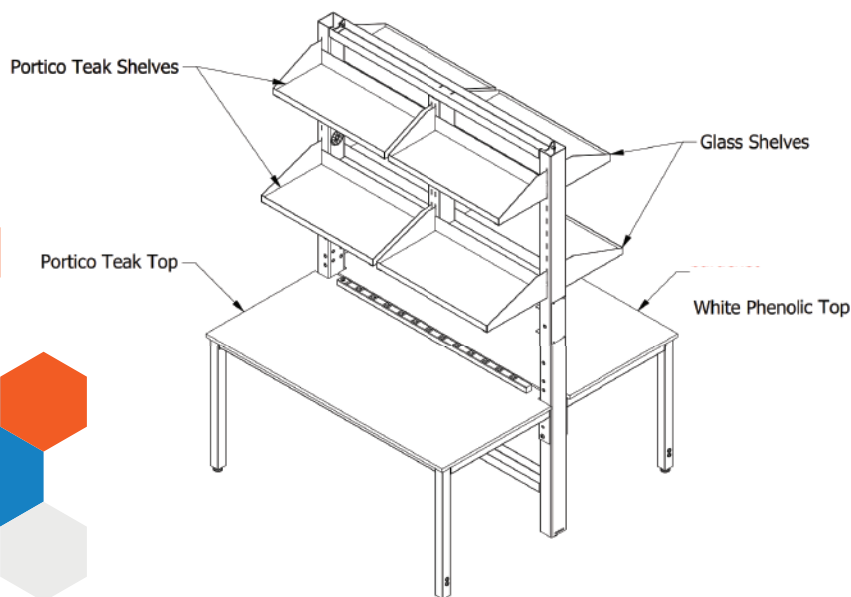
Each FLX bench can be set at different heights and easily reconfigured, making it a perfect solution for dynamic lab environments. A second user can be added with just a work surface and two legs, while back-to-back configurations require only a work surface and support frame. The customizable tops and frames, available in various colors and materials, allow the FLX bench to meet specific lab needs.

Built for efficiency, FLX features regency shelving for ample storage, integrated wire management troughs to hide electrical cords and services, and pre-cut knockouts in the raceway for gas, water, and other utilities. It assembles with just six bolts and is compatible with overhead service panels for streamlined service routing. FLX offers a modern, adaptable solution that reduces costs in freight and installation while maximizing functionality in any lab setting.

Specifications

List Price as Shown:

\$14,600



Specific Details

- 60W x 30D
- Portico Teak Top
- White Phenolic Top
- White Texture Frame Finish
- Power Strip 48", 16 Outlets
- Laser Cut Design along the side with LED lights
- Portico Teak Shelves
- White Phenolic Shelves



Standard Available Countertops

Phenolic Resin Countertops



Black



Gray



White

Epoxy Resin Countertops



Black



Gray



White

High Pressure Laminate



Black



Gray



White

ESD Laminate



Black



Gray



White

Available Frame Colors



Black Sem-Gloss
BK266



Steel Gray
T028-GR02



Gray
RAL7045



Light Gray
RAL 7035

Shelf Material Available:

HPL, LPL, Phenolic



Finishes & Accessories

Standard Accessories Include

- 8,12,16,24 plug power strips
- Electrical, plumbing, and 2 channel data power raceways
- Plumbing kit which includes Gas Valve, fittings, and 10ft hose that plugs into ceiling panel
- Standard adjustable leg kit
- Up to 4 gas types
- Ceiling panel







 **FORMASPACE**

 800.251.1505

 design.consultant@formaspace.com

 formaspace.com

