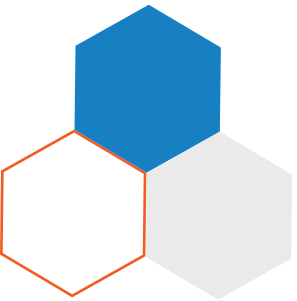
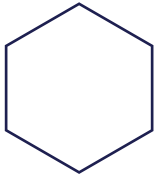


RGX CASEWORK

INSTALLATION INSTRUCTIONS



Contents

#	PAGE	
1.	03	Unpack
2.	03	Layout Elevations
	03	Determine Countertop Height
	03	Find Outermost Points Of Walls
	04	Layout Wall Cabs
3.	05	Install Upper Wall Cabinets
4.	07	Install Base Cabinets
	07	Option 1 Fixed With Wall Angle And Blocks
	09	Option 2 Fixed With Chase Frames
	09	Option 3 Free-Floating With Countertop Brackets
	10	Aprons & Knee Panels
	11	Pedestals
	11	Sink Supports
	12	Rear Fillers
	13	Front Fillers
	13	C-Fillers
	13	Corner Fillers
	13	Toekicks
5.	14	Install Countertops
6.	15	Final Alignment
	15	Drawer Fronts
	15	Steel Doors
	15	Phenolic Or Laminate Doors

1. Unpack

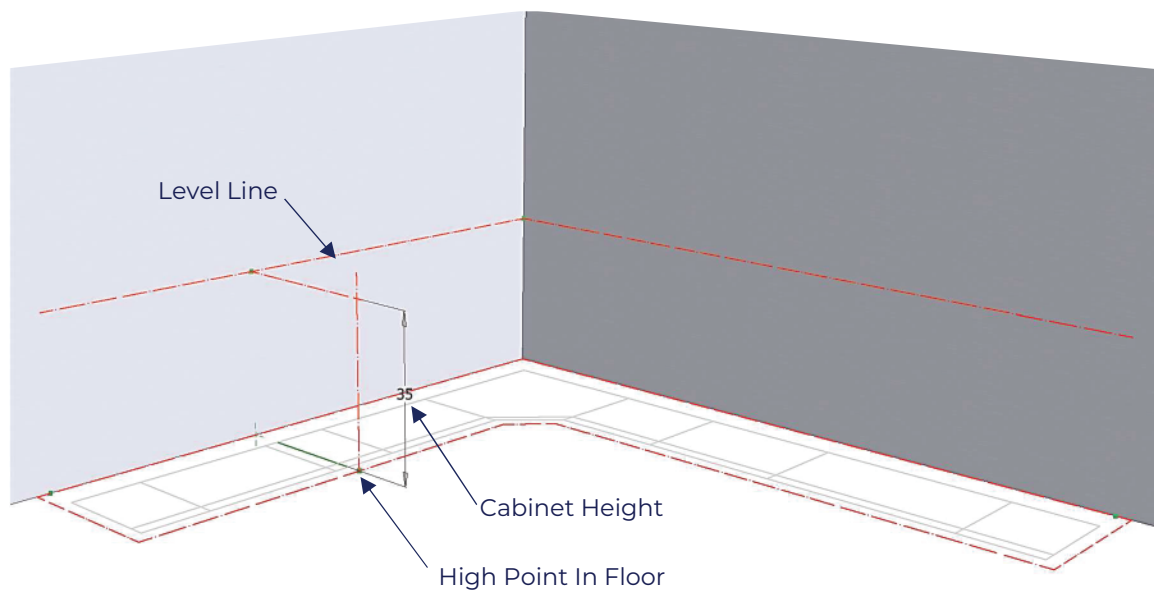
Unpack and distribute cabinets to their intended locations.

2. Layout Elevations

Perform these steps for every run of continuous countertops.

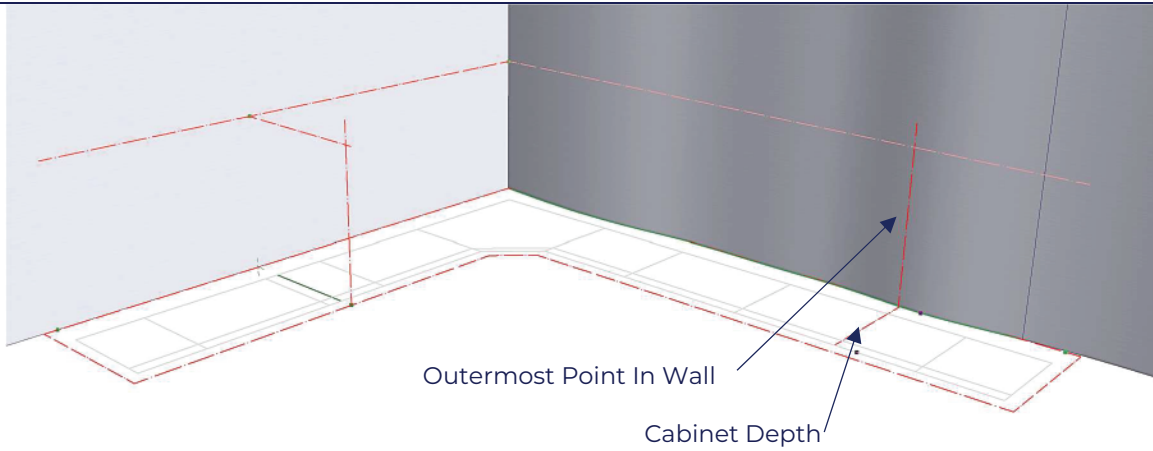
Determine Countertop Height

- 2.1. Layout the rough locations of base cabinets along the wall based on intersecting walls and cabinet runs, obstructions, or other critical distances.
- 2.2. Using a laser or transit level to scan the entire area of the run, determine the highest point in the floor. Include a zone roughly 30" out from the wall.
- 2.3. From the highest point found, measure up to the top of the designed cabinet height and transfer this measurement to the wall in a few places.
- 2.4. Use a chalk line or straightedge to connect the marks representing the top of cabinets along the wall.



Find Outermost Points Of Walls

- 2.5. Using a stringline or straightedge along the lines drawn in Step 2.4, locate any bumps in the wall at the countertop height. Mark the outermost point at the cabinet line.
- 2.6. Use a plumb level to transfer this point to the floor. Then measure out roughly perpendicular from the wall and mark a point representing the front of the base cabinet toekick.

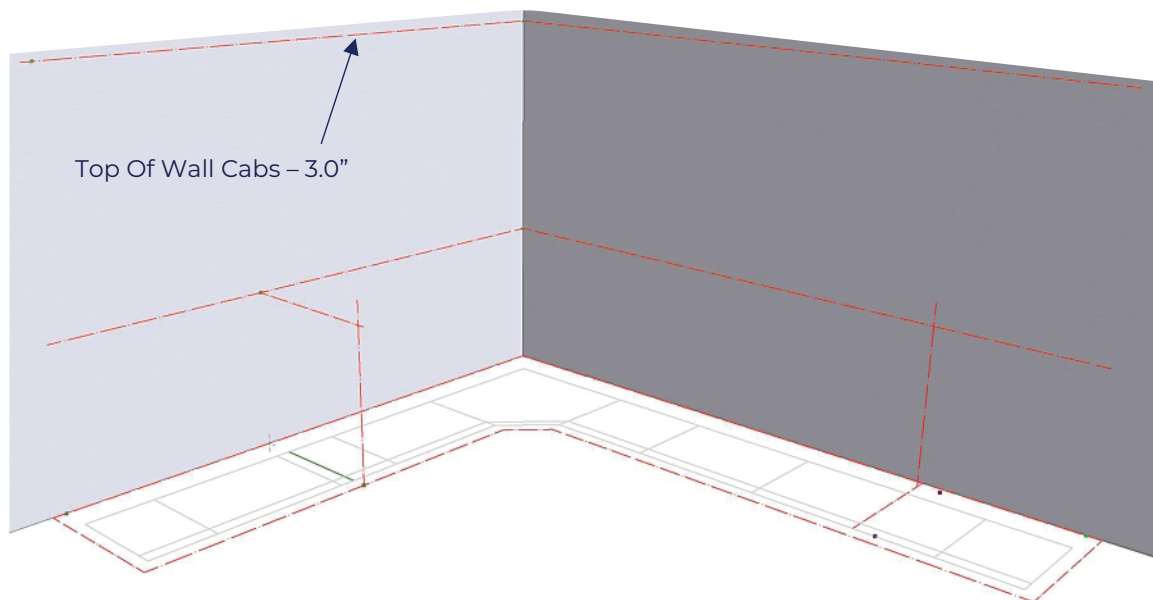


- 2.7. Draw a line parallel to the wall through this point.
- 2.8. Repeat Steps 2.5 - 2.7 for any intersecting cabinet runs. Evaluate perpendicularity of intersecting lines and adjust either run as needed.
- 2.9. Along the toekick lines defined in Step 2.7, layout endpoints and other critical alignment points. Transfer these to wall as well.



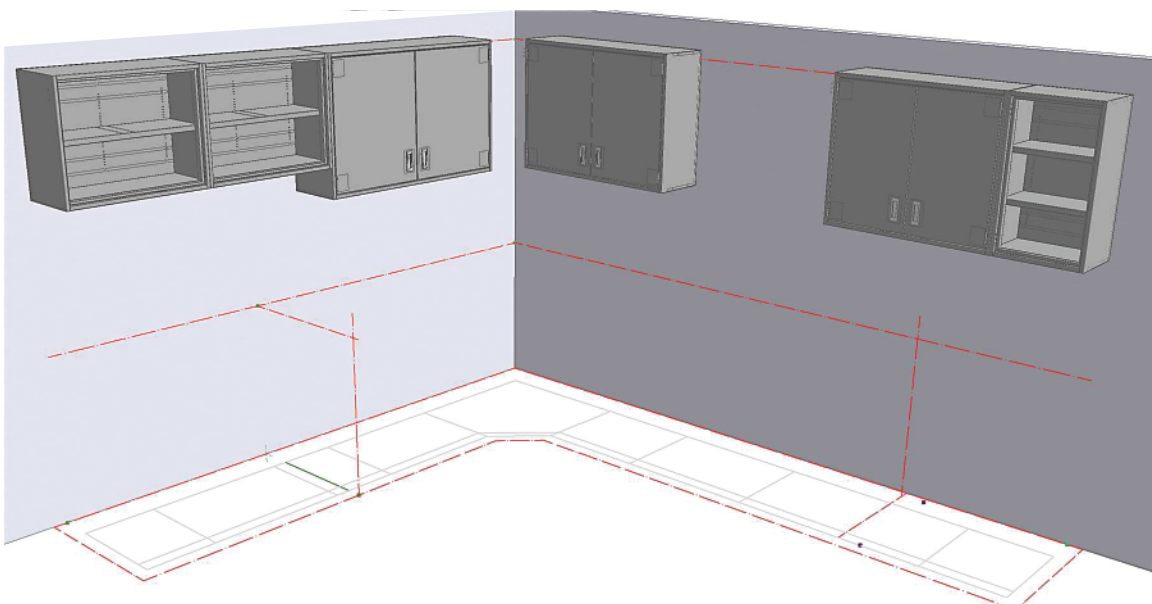
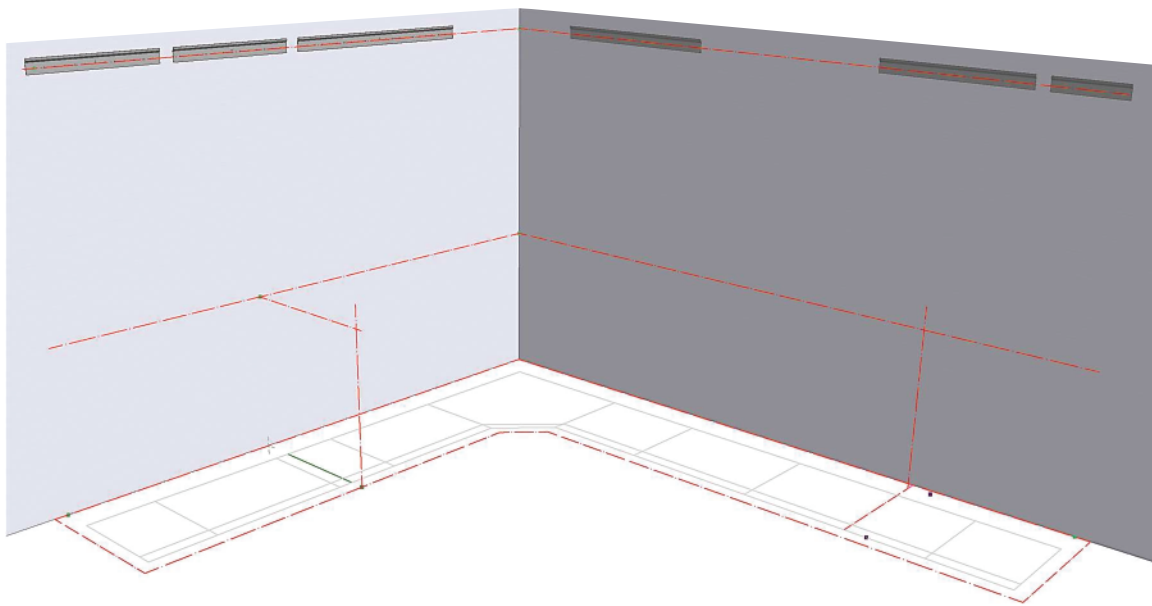
Layout Wall Cabs

- 2.10. Measure up from the T.O. cabinet line established in Step 2.4 to mark the tops of upper wall cabinets. Measure down 3.0" from this point to mark the screw line of the wall cabinet cleats. Use a level to extend this line horizontally as needed where wall cabinets are to be installed.
- 2.11. Use a plumb level to transfer any critical alignment marks from Step 2.9.

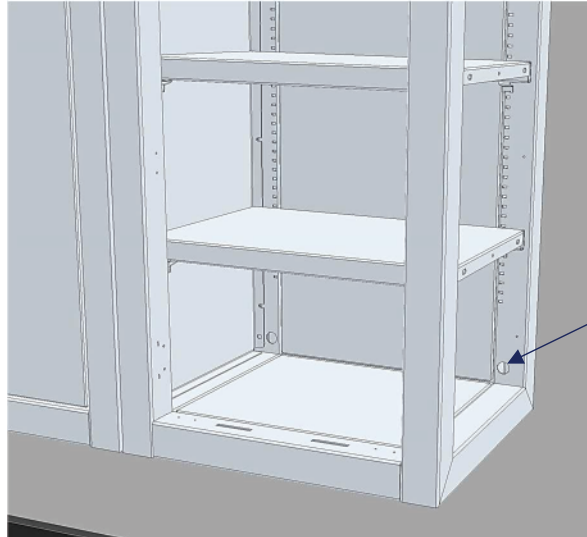


3. Install Upper Wall Cabinets

- 3.1. Install wall cabinet cleats onto the line established in Step 2.10 of the layout instructions above. Center each cleat on the left-to-right location of its mating cabinet. Cleat may be shifted left or right up to 7/8" to allow fastening to the wall framing. If studs cannot be located using the supplied hole pattern, drill new holes through the cleats or use heavy duty drywall anchors as needed. For walls with significant surface waviness, shims may be used at some connection points to maintain straightness of the cleats.
- 3.2. Hang each wall cabinet on its cleat. Slide left or right into the correct position.

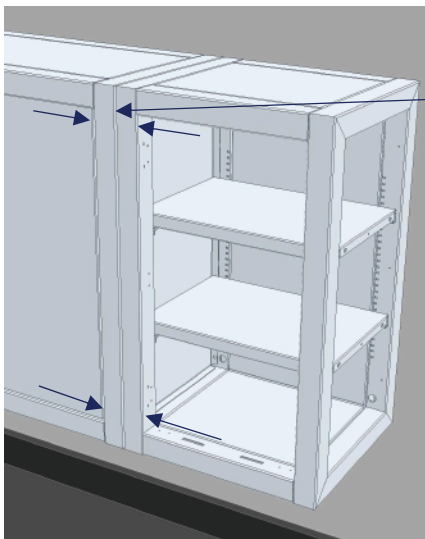


- 3.3.** Wall cabinets may be fixed in their final locations by fastening through the holes provided at the bottom rear of the frame. If solid blocking is not present within the wall, mark the wall through these holes and install wall anchors. Do not fasten until after the next step.

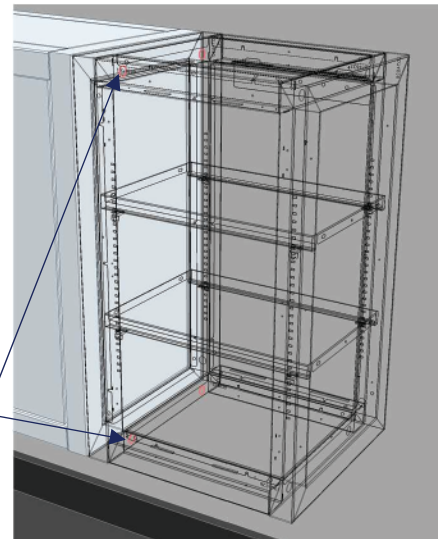


If Needed, Mark Thru Holes At Wall For Anchors

- 3.4.** Clamp cabinet fronts tightly and fasten cabinets together using self-tapping screws through the provided access holes.



Clamp Cabinet Fronts Together At Top & Bottom



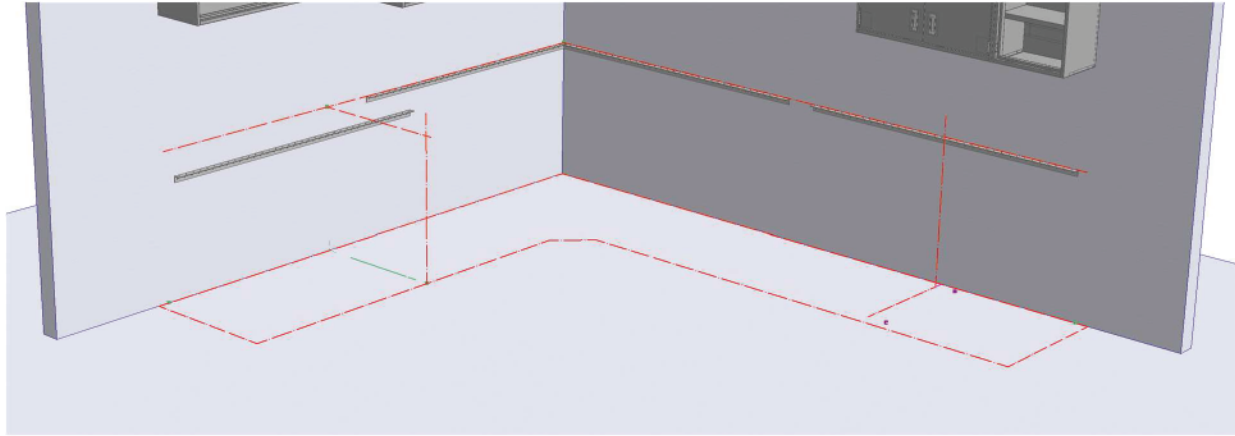
Screw 2x Through Cabinet Sides Near Front (Back Optional)

- 3.5.** Fasten upper cabinets to the wall through the holes described in Step 3.3.
- 3.6.** Check plumbness of the front faces of the wall cabinets. If needed, adjust by loosening screws and inserting shims between the wall and the top or bottom of the cabinet.

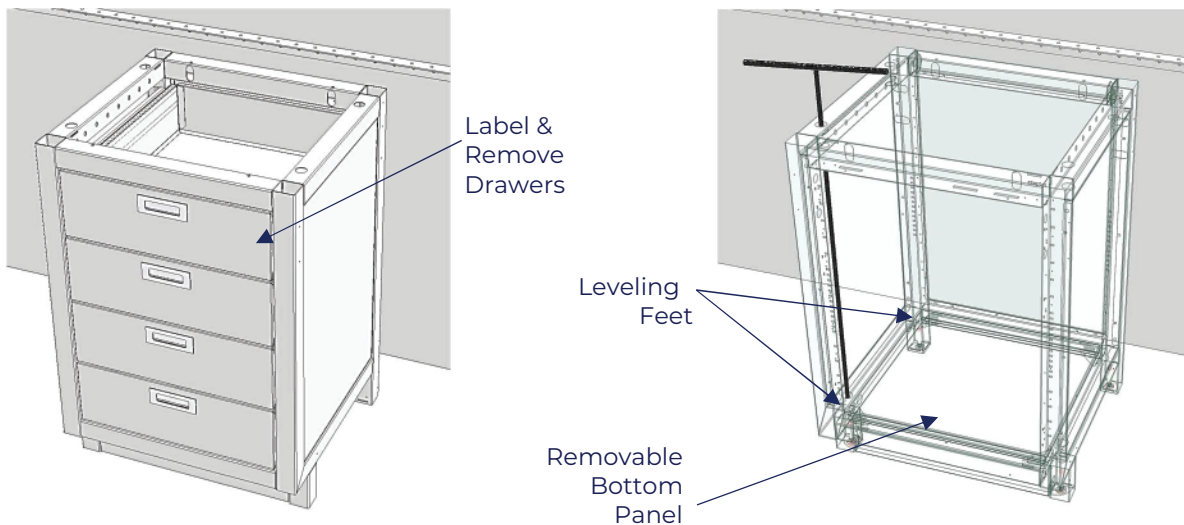
4. Install Base Cabinets

Option 1 Fixed With Wall Angle And Blocks

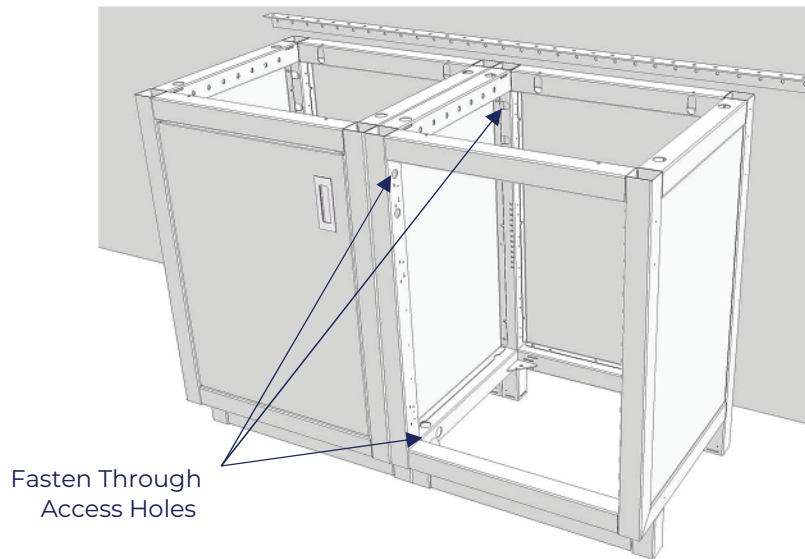
- 4.1. Install countertop support angle along the line established in Step 2.4 of layout instructions above. The angle should be fastened to studs where possible but need not be fully continuous. Gaps up to 16" are permissible.
- 4.2. Cut the angle to length as needed, being sure to hold the ends back 1-2" from any planned filler pieces or countertop transitions.



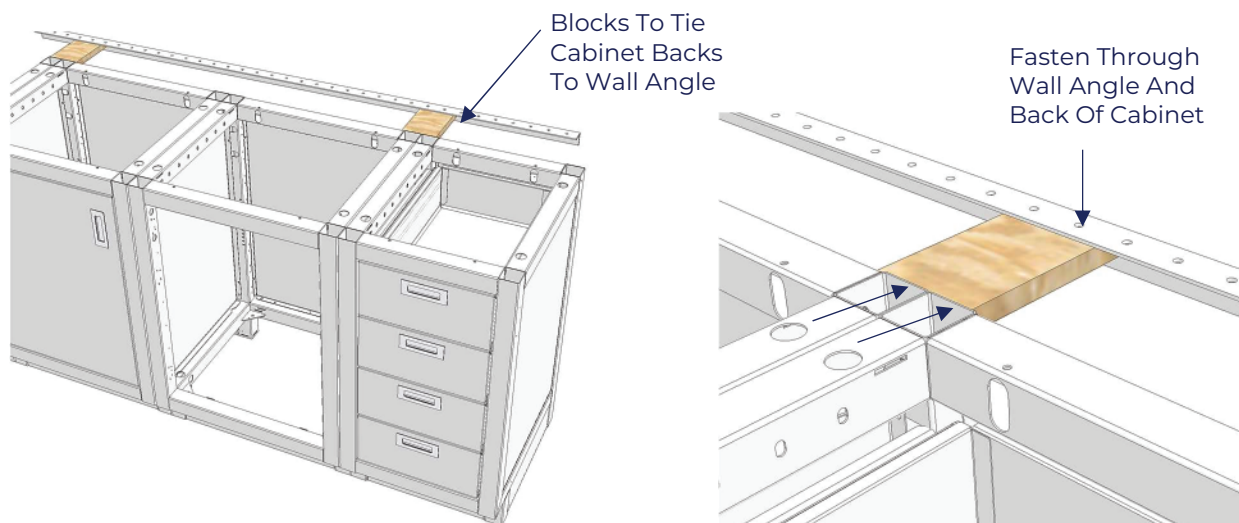
- 4.3. Place the first base cabinet in its final position as established in Step 2.9. Label, remove, and set aside any drawers or shelves for access to the cabinet interior.
- 4.4. Leveling feet may be accessed from the top of the cabinet frame using a long specialty T-handle and a 1/4" nut driver. Otherwise, leveler bottoms may be accessed by removing the cabinet bottom panel.
- 4.5. Level the cabinet by turning the four leveling feet.



- 4.6. Continue placing and leveling the remaining base cabinets. To connect cabinets to each other, clamp the frames at the front and fasten cabinets together using self-tapping screws. Access holes are located near the tops of the sides and beneath the bottom panel.



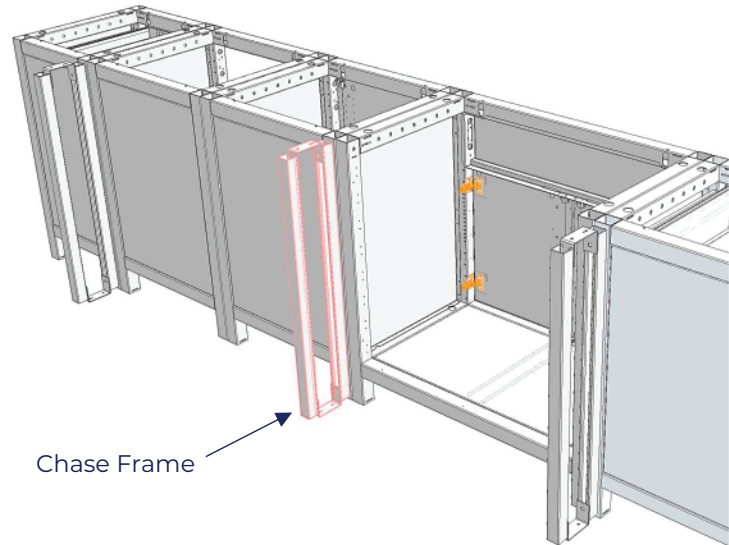
- 4.7. Fix the cabinet system to the wall by fastening blocks between the backs of cabinets and the countertop support angle. 2x4 framing lumber or 3-4" strips of 3/4" plywood work best. One block every 2 to 4ft should be sufficient. Locate blocks to avoid the removable back panels of cabinets.



- 4.8. Reinstall bottom panels. Leave drawers out for installation of countertops.

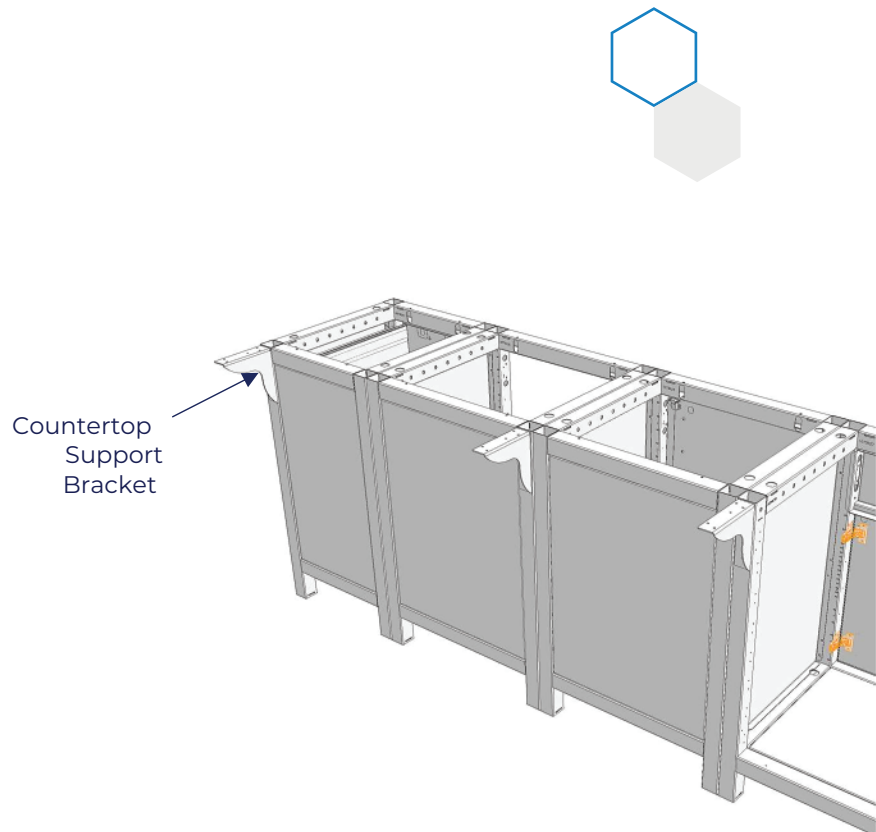
Option 2 Fixed With Chase Frames

- 4.9. Chase frames (available from our standard casework catalog) may be used to establish the standoff depth from the wall while providing a mounting solution for service piping. Attach between cabinet frames and walls using screws. Connect cabinets as described in steps 4.3 through 4.6.



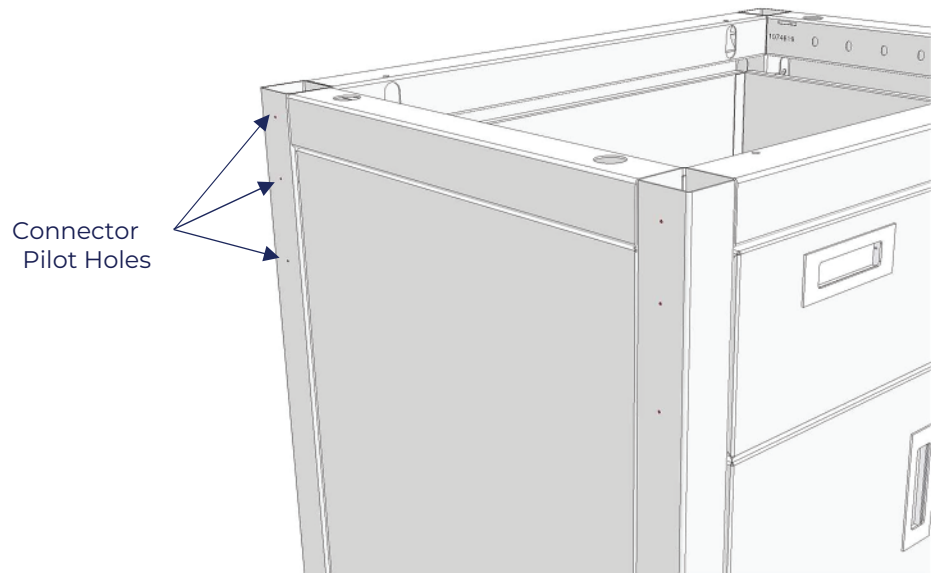
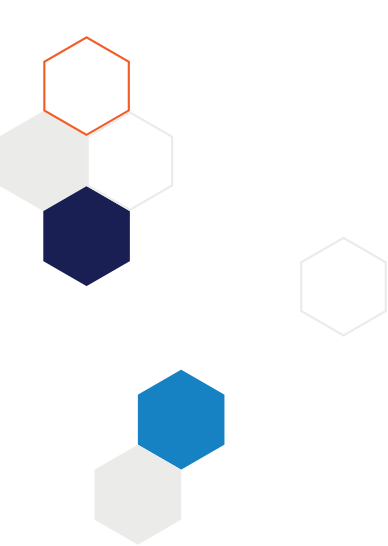
Option 3 Free-Floating With Countertop Brackets

- 4.10. Base cabinets may be installed as a free-floating system without permanent connection to the walls. Support any extended countertop with the use of countertop support brackets (available from our standard casework catalog). Connect cabinets as described in steps 4.3 through 4.6.

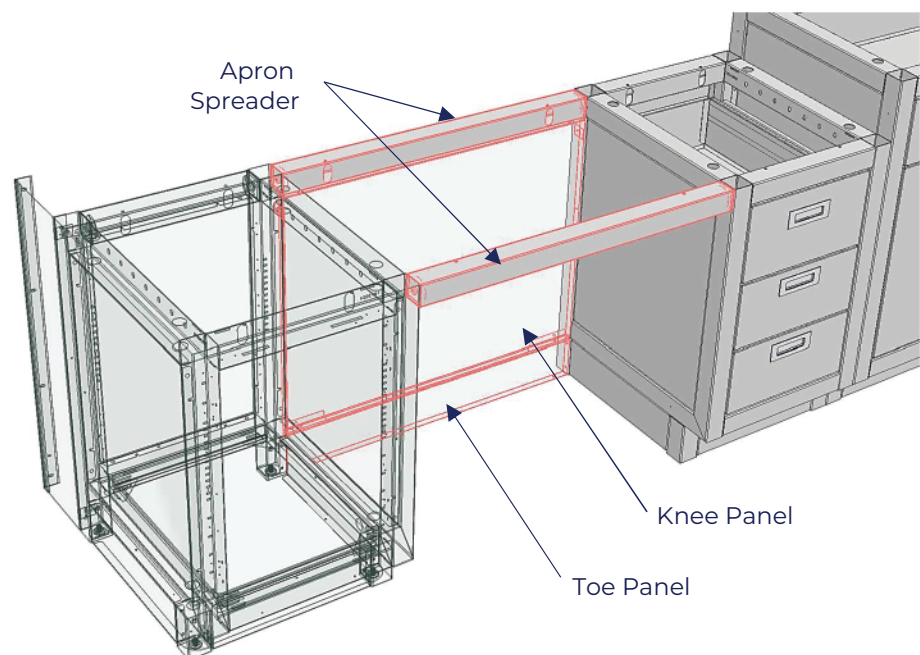


Aprons & Knee Panels

- 4.11. All base cabinet sides have pilot holes pre-drilled at common heights for connection to other elements. Determine at which height the spreader will install and drill to increase the pilot hole to clear a 3/8" bolt.

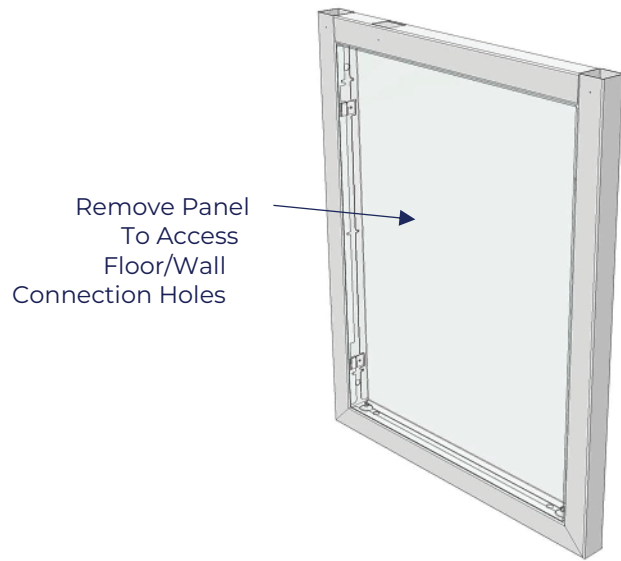


- 4.12. Fasten apron spreaders through cabinet sides using 3/8-16 bolts inserted into open tops of cabinet side tubes.
- 4.13. Fasten toe panel to neighboring cabinets using self-tapping screws.
- 4.14. Drop knee panel onto toe panel and fix top using spring clips.



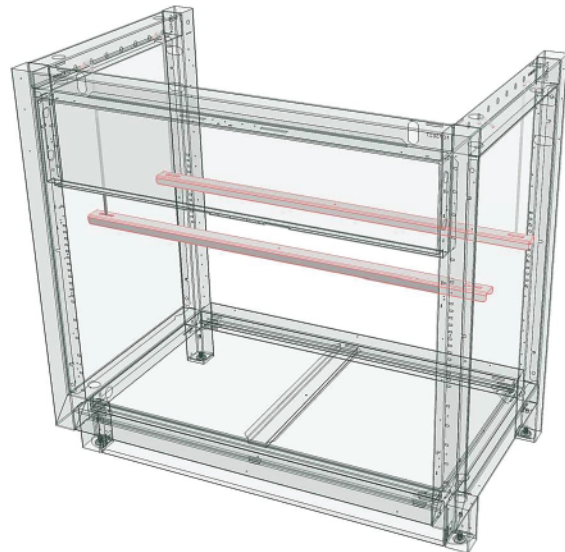
Pedestals

Pedestals are supplied with one removable panel held in with spring clips. Pedestals are normally fastened to aprons. To fasten to wall or floor, remove a side access panel and screw through the frame.



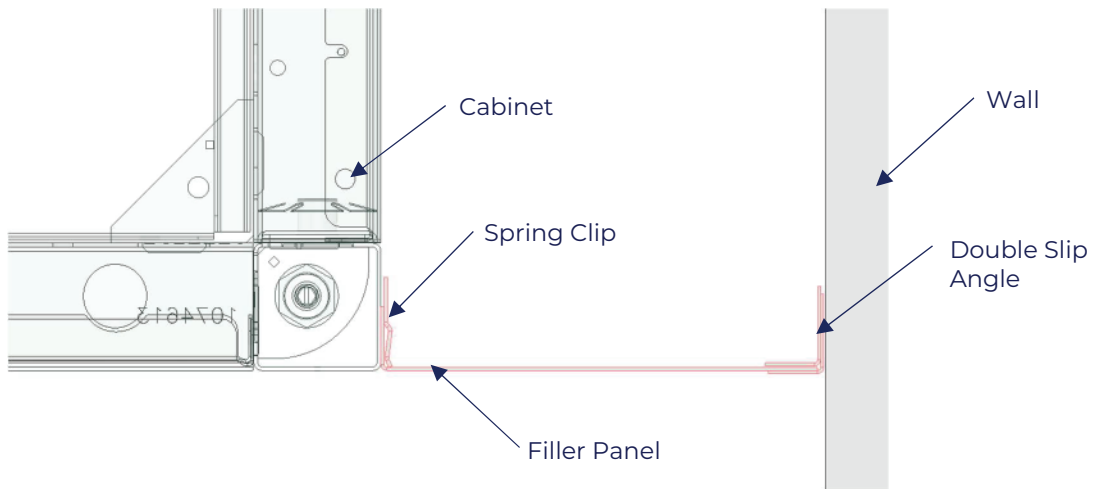
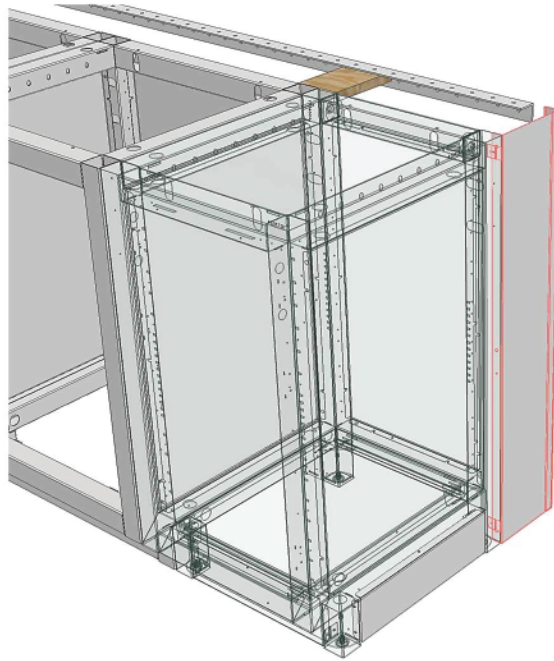
Sink Supports

Sink cabinets include an array of holes to house sink hanger rods. Hook the 4 hanger rods into these holes to provide optimum support for the sink. Adjust the nuts up and down on the threaded rod until the sink is fully supported by the seat channel. Lock the nuts when complete.



Rear Fillers

- 4.15. Stack 2 filler slip angles together. Use the mating filler piece to create a slip gap between the angles. This gap will receive the filler panel later.
- 4.16. Attach slip angle pair to wall through provided slots.
- 4.17. Scribe & trim filler panel as needed.
- 4.18. Attach filler panel to cabinet back using self-tapping screws or spring clips.



Front Fillers

- 4.19. Attach slip angles and filler as with rear fillers above.
- 4.20. Trim toekick angle to fit between cabinet and wall. Leave long and use sheet metal hand seamer tool to form wall flanges as needed. Attach to wall and cabinet using screws or spring clips.

C-Fillers

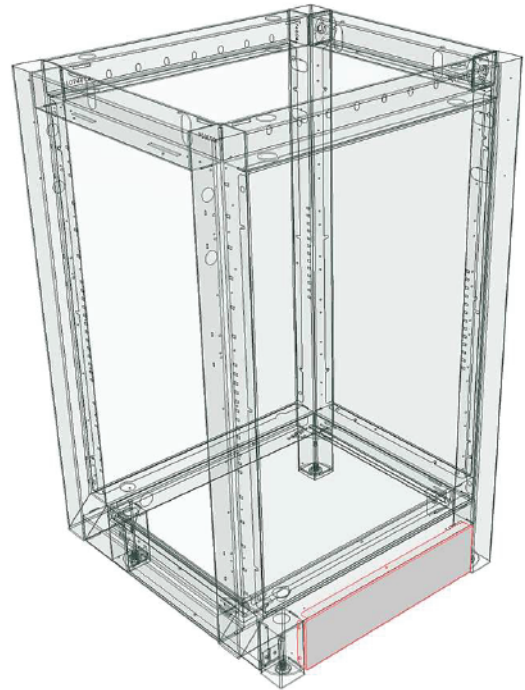
- 4.21. Attach filler panel between cabinets using self-tapping screws or spring clips.

Corner Fillers

- 4.22. Attach filler panel between cabinets using self-tapping screws or spring clips.
- 4.23. Trim toekick angle to fit between cabinets. Leave long and use sheet metal hand seamer tool to form extra flanges as needed. Attach using screws or spring clips.

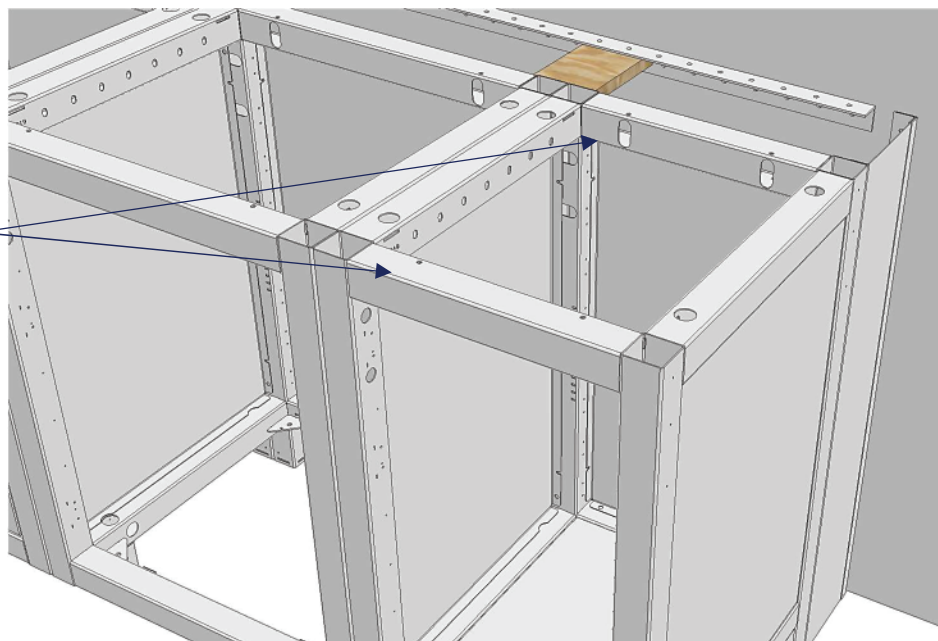
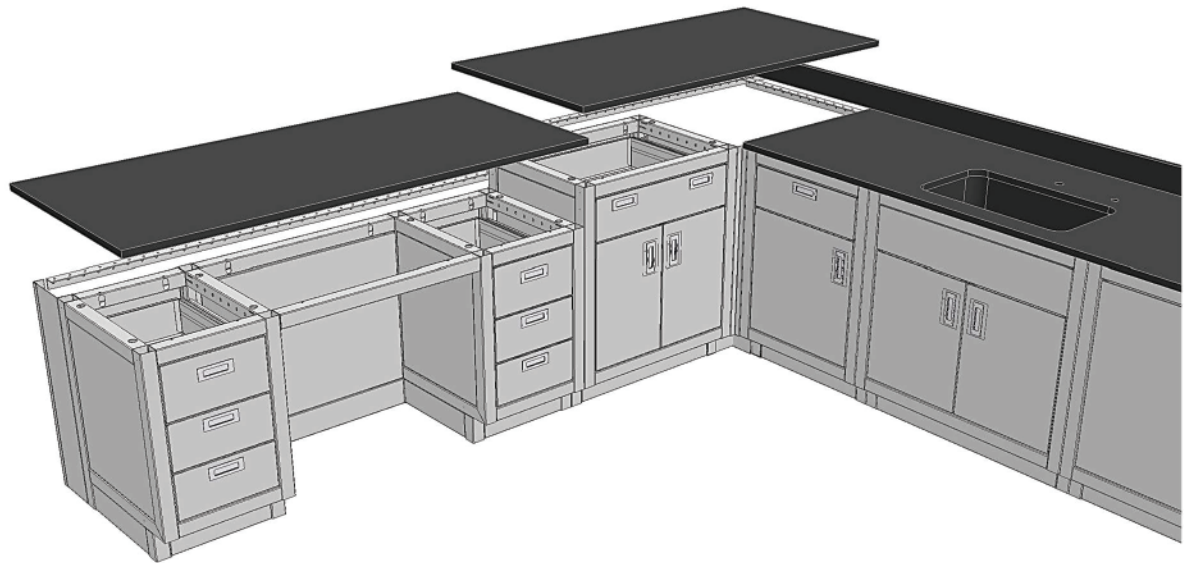
Toekicks

- 4.24. Front toekicks come factory installed. Side toekicks may be used to finish gaps at end cabinets. Attach to cabinets using self-tapping screws or spring clips.



5. Install Countertops

- 5.1. Position countertops per shop drawings. Trim and notch around walls and columns as needed. Refer to countertop manufacturer's installation documents for proper handling and processing.
- 5.2. Fasten countertops through slots in cabinet top rails. Use appropriate fasteners for your countertop material.
- 5.3. Reinstall drawers removed in Step 4.3 of base cabinet installation.



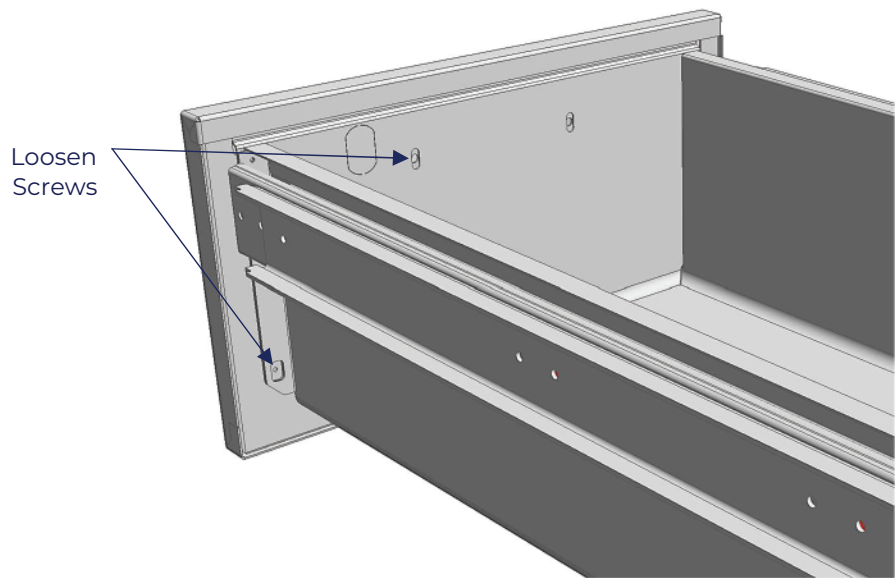
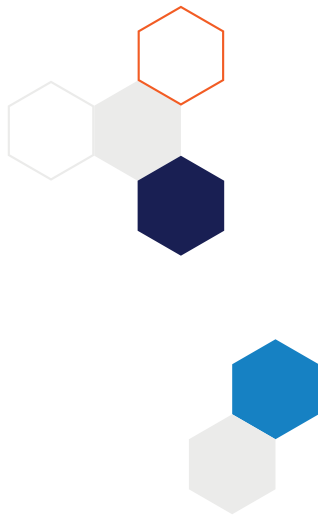
Fasten
Countertops
Through Slots
At Front & Back

6. Final Alignment

All drawer and door fronts have been aligned at the factory based on a level and square base cabinet. Due to varying field conditions, some final adjustment of the fronts may be necessary.

Drawer Fronts

- 6.1. Loosen (but do not remove) screws between drawer front and drawer box.
Loosen screws between drawer box and pull handle.
- 6.2. Slide drawer front up or down, left or right.
- 6.3. Retighten screws.



Steel Doors

- 6.4. Loosen (but do not remove) screws between hinges and the cabinet side.
- 6.5. Adjust doors up or down, in or out.
- 6.6. Retighten screws.
- 6.7. To increase the gap between the door and the cabinet, open the door slightly and place a heavy wire tool or hex wrench between the hinge leaves. Lightly close the door against the tool to flex the hinge knuckle towards the interior of the cabinet.
- 6.8. To decrease the gap, lightly tap the hinge knuckle toward the cabinet side using a soft mallet and block. Fine shims may also be inserted behind the hinge's jamb leaf to enable tilting of the hinge knuckle relative to the cabinet.

Phenolic Or Laminate Doors

- 6.9. Doors are provided with fully adjustable euro-style hinges.

 **FORMASPACE**

☎ 800.251.1505

✉ design.consultant@formaspace.com

🌐 formaspace.com

