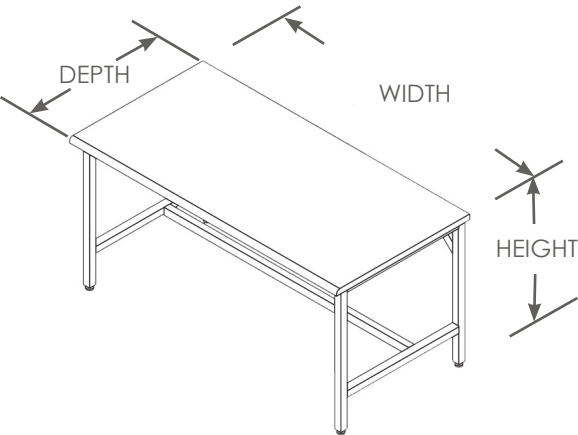
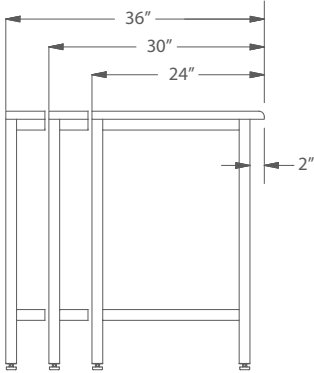




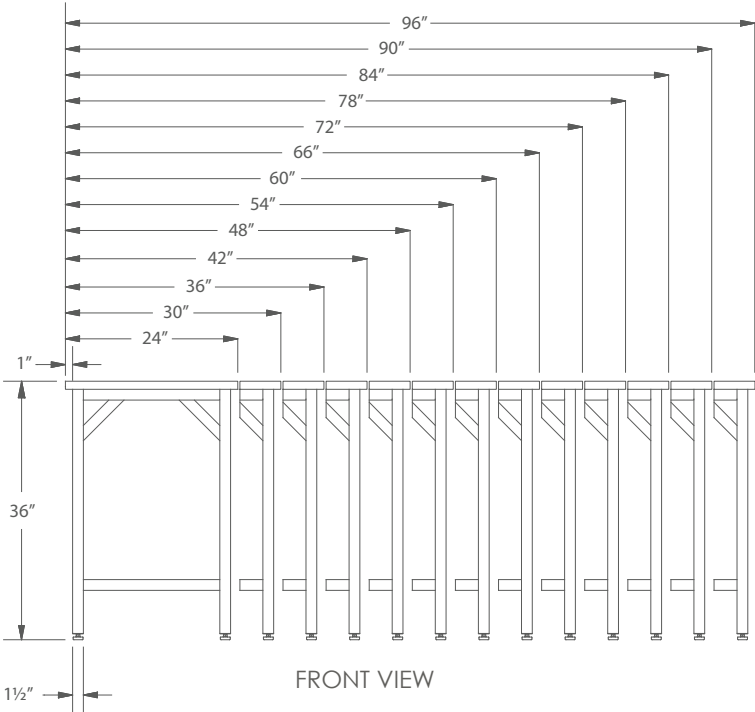
AVAILABLE BENCH SIZES



Widths: 24" - 96" (IN 6" INCREMENTS)
Depths: 24", 30", 36"
Heights: 30", 36", 42"



LEFT SIDE VIEW



FRONT VIEW

FORMASPACE STANDARD PRODUCT OPTIONS

WORK SURFACE



FRAME

Steel Tube Size:
SD: 1 1/2" SQUARE
HD: 2" SQUARE

FEET OPTIONS

ADJ: Adjustable Levelers
AVL: Anti-Vibration Levelers
LKC & NLC: Locking & Non-Locking Casters
ALC: Adjustable Leveler & Caster Combo

HPL: High Pressure Laminate
PHN: Phenolic
EPX: Epoxy 1"
MPL: Maple
STL: Steel
SPECIAL ORDER:
 Epoxy 3/4"

SHELVES

Lower & Upper Shelf Thickness':
HPL: 3/4"
Phenolic: 3/4"
Epoxy: 3/4"
Maple: 3/4"
Steel: 1"

Lower Shelves - Half or Full

Depth: 12", 15" or 18"

Upper Shelf

Depth: 12", 15" or 18"

WORK SURFACE REVEALS	TUBE SD	SIZE HD
Sides	1"	1/2"
Front	2"	1 1/2"
Back	0"	0"

ACCESSORIES

Power Strips:
 Width: 24", 36", 48", or 72"

Overhead Light: Width: 24" or 48"

Steel Cabinets:

Fit inside of all frames
 (1 1/2" and 2" SQUARE)

Laminate Formaspace Cabinets:

Match Steel Cabinet sizes

Widths: 24" - 96" (IN 6" INCREMENTS)

Depths: 24", 30", 36"

PAINT COLORS

RD01: RED
BK59: BLACK (TEXTURED)
BK66: BLACK (SEMI-GLOSS)
BG01: ALMOND
WH12: WHITE (TEXTURED)
WH11: WHITE (SEMI-GLOSS)
7045: GRAY
5012: BLUE
5017: TRAFFIC BLUE
5003: SAPPHIRE
SGPE: STEEL GRAY PEARLESCENT
7035: LIGHT GRAY
1015: LIGHT IVORY

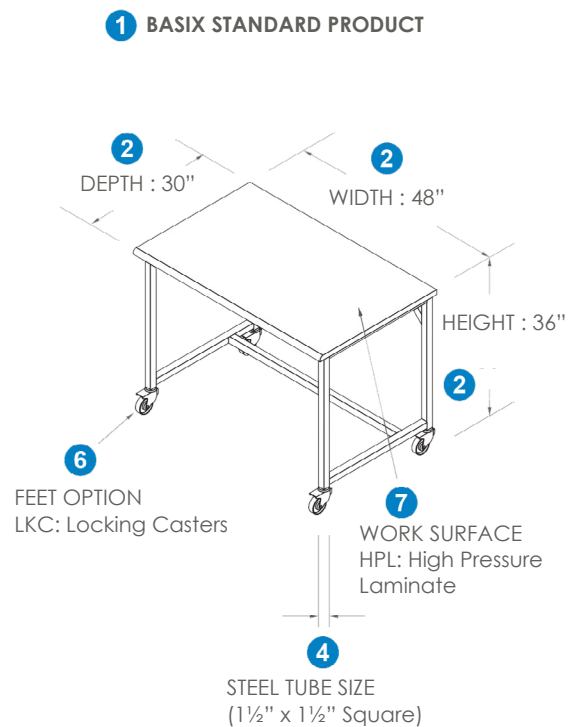
BASIX™ STANDARD PRODUCT KEY

Formaspace Basix™ lab tables are popular for use as flexible islands within a complete lab furniture system. Basix™ lab tables are frequently designed to accommodate custom cubbie configurations to maximize storage of frequently used lab items and are often designed with total-lock casters for maximum flexibility in reconfiguration.

HOW IT WORKS:

1 2 3 4 5 6 7

FBX483036TBSDWLKCHPL



1 2 3 4 5 6 7
FBX WW DD HH TB SD W LKC HPL

1 BENCH TYPE

FBX Formaspace Basix Standard Product

2 DIMENSIONS

WW: Width **DD:** Depth
HH: Height

3 BENCH TYPE

TB: Typical Bench
IB: Island Bench
CB: Corner Bench

4 STEEL TUBE SIZE

SD: Standard Tube Dimensions
(1½" x 1½" Square)
HD: Heavy Duty (2" x 2" Square)

5 CONSTRUCTION METHOD

W: Welded Frame Construction
B: Bolt Together Construction

6 FEET OPTIONS

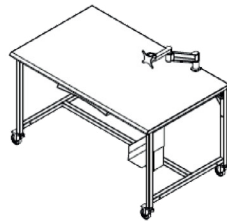
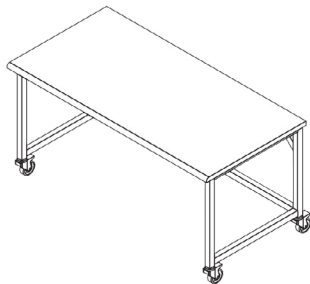
ADJ: Adjustable Levelers
AVL: Anti-Vibration Levelers
LKC: Locking Casters
ALC: Adjustable Leveler & Caster Combo

7 WORK SURFACE MATERIAL

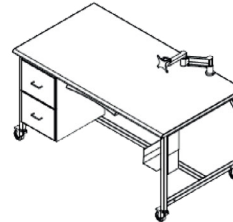
HPL: High Pressure Laminate
PHN: Phenolic Resin
EPX: Epoxy Resin
MPL: Maple
STL: Steel

BASIX™ CONFIGURATION EXAMPLES

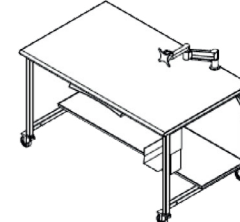
“WHAT CAN YOU
CREATE?”



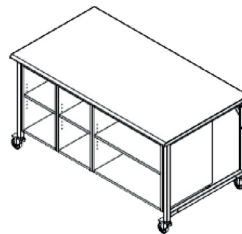
- ▶ Keyboard Tray
- ▶ CPU Holder
- ▶ 7-Flex Monitor Mount



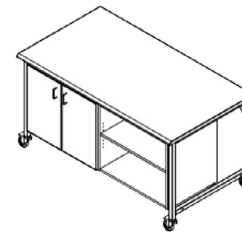
- ▶ Laminate or Steel Cabinets
- ▶ Keyboard Tray
- ▶ CPU Holder



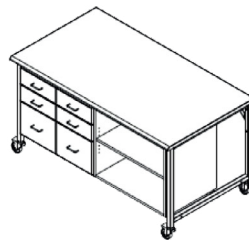
- ▶ Lower 1/2 Shelf
- ▶ Keyboard Tray
- ▶ CPU Holder
- ▶ 7-Flex Monitor Mount



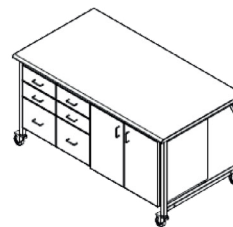
- ▶ Laminate or Steel Cabinets
- ▶ Open Shelf or Cabinets



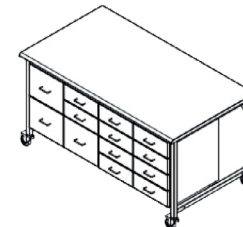
- ▶ Laminate or Steel Cabinets
- ▶ Open Shelf or Cabinets with Doors



- ▶ Laminate or Steel Cabinets
- ▶ Drawer or Shelf Units



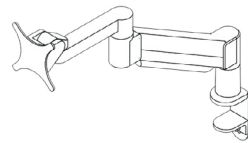
- ▶ Laminate or Steel Cabinets



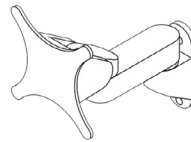
- ▶ Laminate or Steel Cabinets

ACCESSORIES

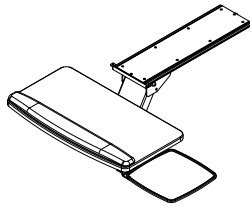
- 1 7-Flex Articulating Monitor Mount**
Clamp on or Horizontal Support Channel Mounting



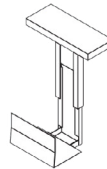
- LCD-4 Monitor Mount**
Horizontal Support Channel Mounting



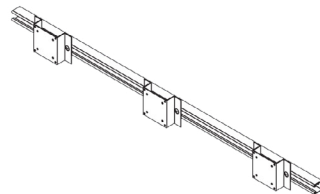
- 2 Keyboard**
(Left, Right, or No Mouse Extension)



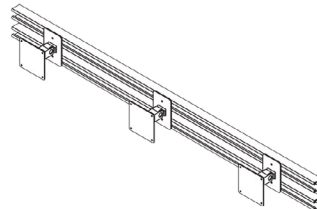
- 3 CPU Holder**
(Left, Right, or Center)



- 4 Static Monitor Mount(s)**
Horizontal Support Channel Mounting



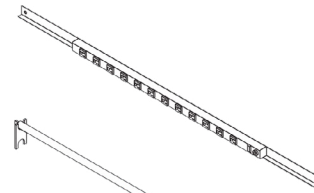
- Static Monitor Mount(s)**
Horizontal Support Channel mounting "Heavy Duty"



- 5 Horizontal Support Channel mounted Power Strip**
Rail: 24" - 96" Width in 6" increment
Power Strip Width: 24", 36" or 48"

- Horizontal Support Channel mounted Roller Bar**

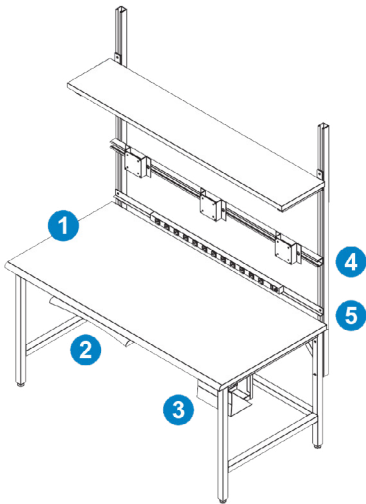
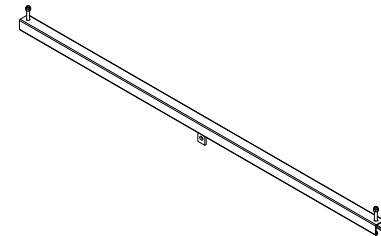
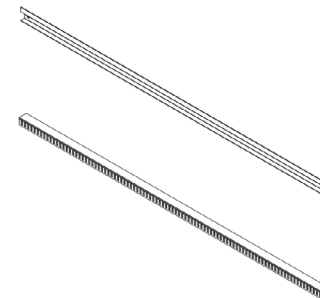
Packing Station Roll Material Holder
24" - 96" Width in 6" increment



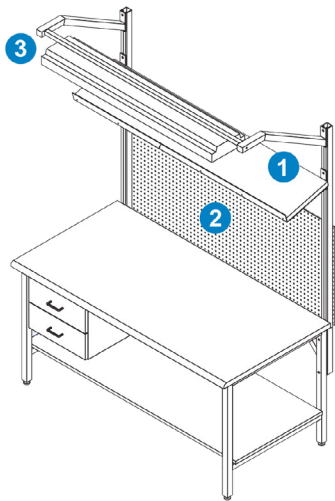
- 6 Tool Trolley**

- Horizontal Support Channel mounted Bin Rail**
24" - 96" Width in 6" increment

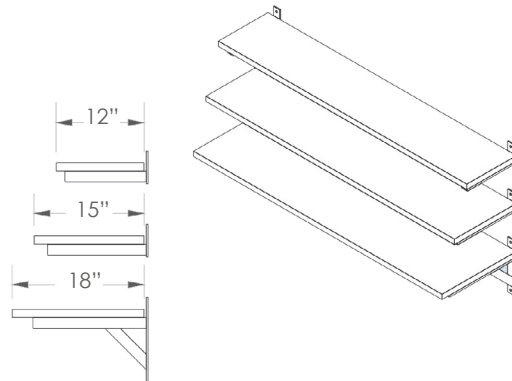
- Wire Management Trough**
24" - 96" Width in 6" increment



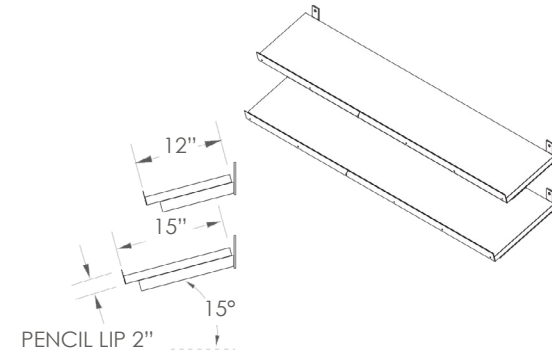
ACCESSORIES



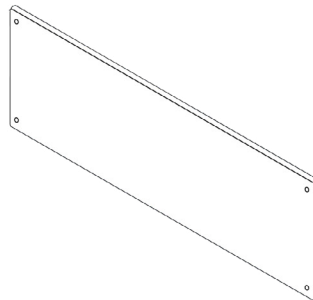
1 Horizontal Support Channel mounted Upper Shelves
Depth: 12", 15", or 18"
Width: 24" - 96" in 6" increment
 *Pencil Lip Available



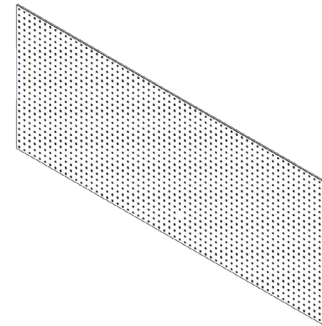
Horizontal Support Channel mounted Angled Upper Shelves
Depth: 12" or 15" with Pencil Lip (1) Edge
Width: 24" - 96" in 6" increment
Angle: 15°, 30°, or 45°



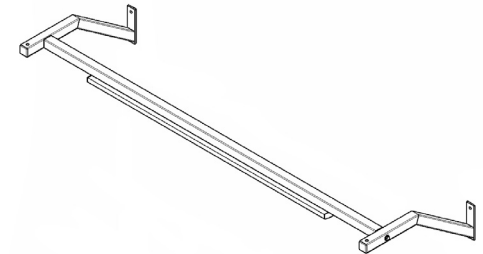
2 Horizontal Support Channel mounted Trackable Panel
 24" - 96" in 6" increment



Horizontal Support Channel mounted Peg Board
 24" - 96" in 6" increment

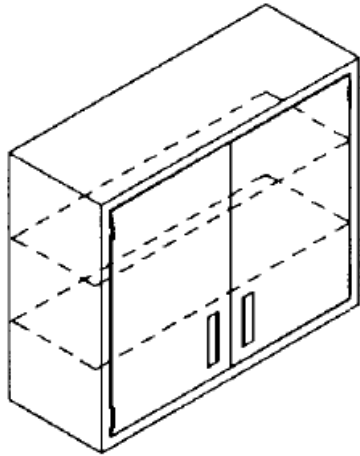


3 Horizontal Support Channel mounted Overhead Lighting
 LED
Frame: 24" - 96" Width in 6" increment
Light Width: 24" or 48"

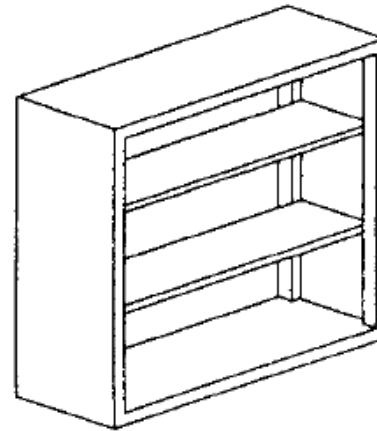


ACCESSORIES - UPPER CABINETS

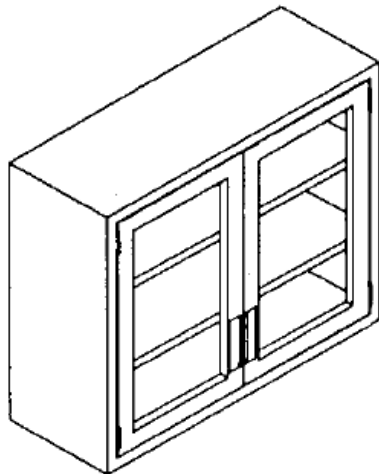
Upper Cabinets are available in sizes ranging from 24", 31", 36" and 48" high and 18" wide to 48" wide. All units are 13" deep as standard. 24" high units have one shelf. 31" high to 36" high units have two shelves. 48" high units have three shelves. Additional shelves are available. On single hinge door units, specify (R) or (L) hinge. 48" high units have 3 hinges per door.



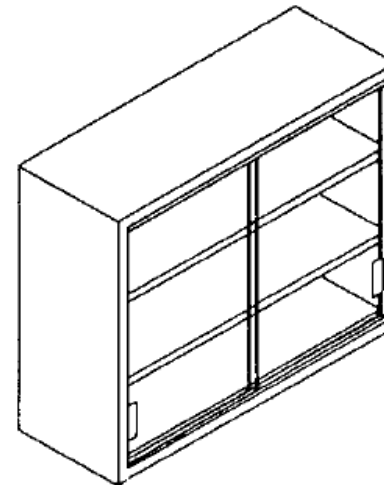
**HINGED, STEEL
DOOR**
Wall Unit



OPEN FACED
Wall Unit



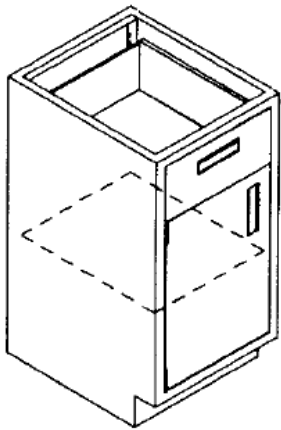
HINGED GLASS
Wall Unit



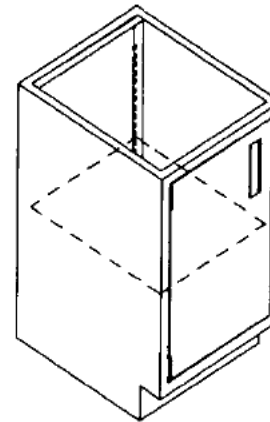
SLIDING GLASS
Wall Unit

ACCESSORIES - BASE CABINETS

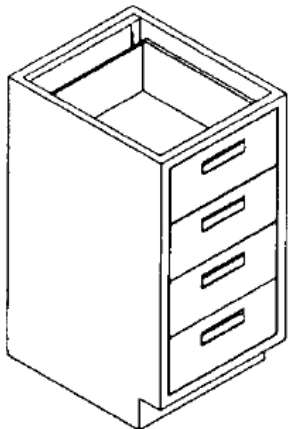
Sitting/Desk Height 29" High X 22" Deep. Units are available in various widths as shown. Drawer units feature full extension slides. A single shelf is standard in the units where shown. Additional shelves are available (see page 11). Specify left or right-hand doors. Hand is indicated by side of door upon which hinges are located. All models available as modular units with toe kit removed.



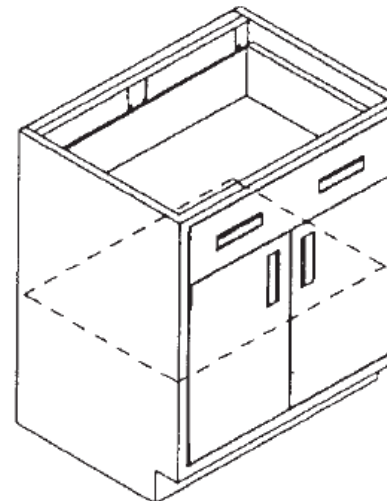
**SINGLE DOOR, SINGLE
DRAWER**
BASE UNIT



SINGLE STEEL DOOR
BASE UNIT

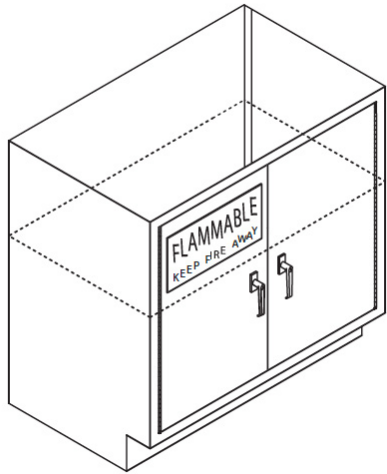


4 DRAWER STACK
BASE UNIT

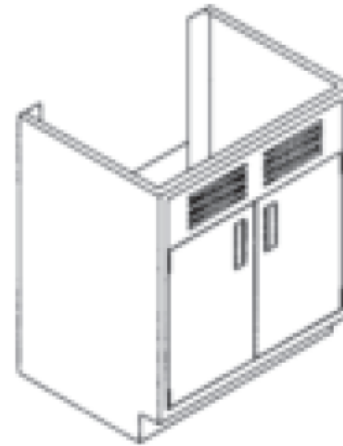


**DOUBLE DOOR, SINGLE
DRAWER**
BASE UNIT

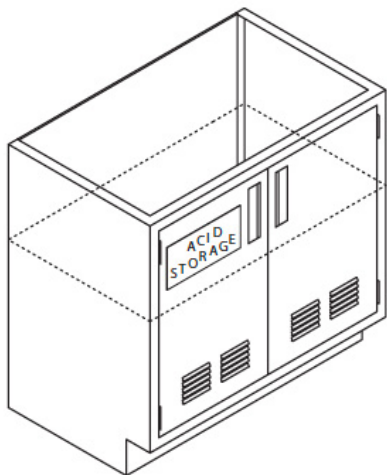
ACCESSORIES - SPECIALTY CABINETS & FUME HOODS



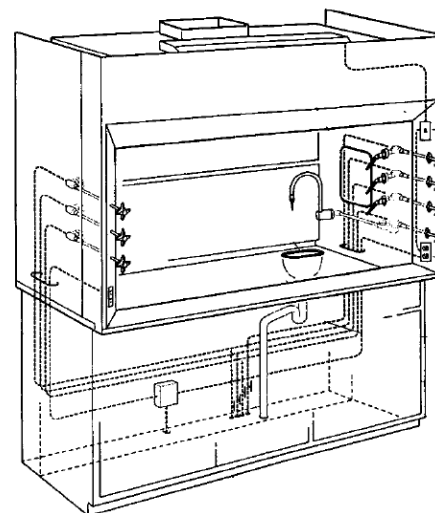
FLAMMABLE CAB 1 -
Note: All Flammable Cabinets are 18" deep.



SINK BASE CAB 1



ACID STORAGE CAB -
Acid Storage Cabinets are reinforced steel with a hi-tech performance polymer alloy coating. This reduces the possibilities of corrosion. Note: All Acid Cabinets are 18" deep.



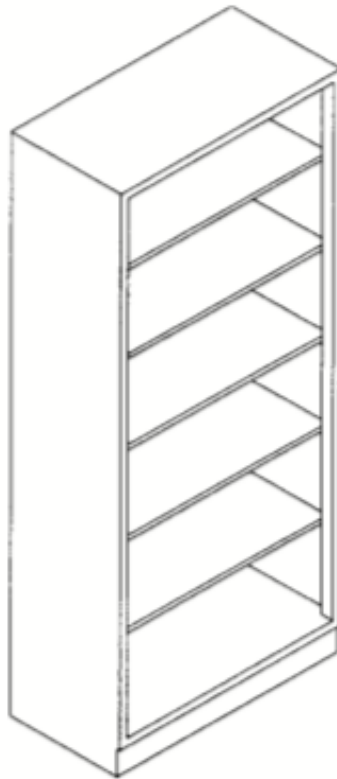
FUME HOOD -
Bypass & variable air volume fume hoods

ACCESSORIES - FLOOR CASE UNITS & MOBILE PEDS

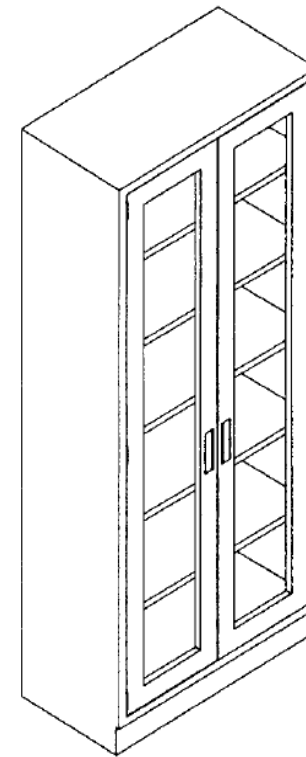
Floor cases are available in widths ranging from 18" to 48". All units are 84" high and are available in either 16" or 21 1/4" depths. Five shelves are standard equipment. Additional shelves are available. On single hinge door units, specify (R) or (L) hinge.



MOBILE PED

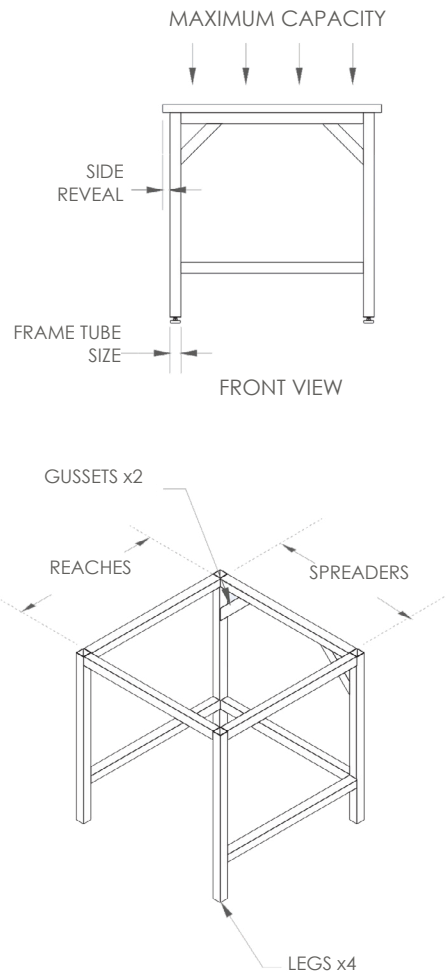


OPEN FLOOR UNIT



**HINGED GLASS
FLOOR UNIT**

GENERAL BENCH DETAILS



WORK SURFACE OVERHANG DETAILS (REVEALS):

Standard benches have a 2" front face reveal, 1" reveal on each side, and no reveal (flush) on the backside.

Exceptions: If Heavy Duty - HD tubing is used, the front reveal becomes 1" and each side reveal becomes 1/2", still flush in the back, Island benches will have 1" front and back reveals (1/2" if HD tubing).

BENCH MAXIMUM LOADING CAPACITY:

Standard Duty (1 1/2" Square Tube construction) 1000 lbs. evenly distributed load.

Heavy Duty (2" Square Tube construction) 1000 lbs - 1500 lbs. depending upon component configurations: i.e.; feet, hydraulics, additional tubing, additional welds, etc.

BENCH FRAME CONSTRUCTION DEALS:

Formaspace bench frames are weldments of square tube steel.

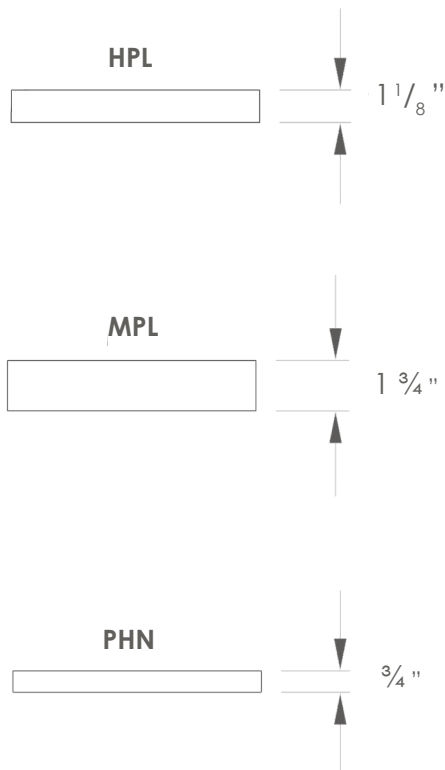
Legs align with bench height.

Spreaders align with the bench width.

Reaches align with the bench depth.

Gussets are pieces cut at a 45° angle and add support to the top-back of the bench.

WORK SURFACE OPTIONS



HIGH-PRESSURE LAMINATE PANELS:

HPL is composed of layers of kraft paper, a single layer of decorative paper with a solid color or design, and finished with a clear protective layer. The HPL is laid over a thick slab or particleboard core. The overall panel thickness is $1 \frac{1}{8}$ inch, excluding added thickness from the HPL layers. Susceptible to discoloration and warping if exposed outdoors for extended periods of time.

MAPLE:

$1 \frac{3}{4}$ inch thick panels, fully cured and kiln-dried. Butcher-block construction (the bonding of several maple pieces into a single self-supporting solid panel). Edges have a $\frac{1}{4}$ inch radius beveled edge. Maple work surfaces may be refinished by sanding and polishing. Tops are coated with a Durakryl 102 or varnique finish, which is resistant to water, alcohol, detergents, and other solvents. Susceptible to discoloration and warping if exposed outdoors for extended periods of time.

PHENOLIC RESIN:

$\frac{3}{4}$ inch thick panels composed of many layers of phenolic-impregnated kraft paper that are saturated with phenolic resin and compressed under extreme heat and pressure to create a thick, durable, color-through, compact laminate.

$\frac{1}{8}$ inch Radius

Special Order: Phenolic Resin 1 inch thick

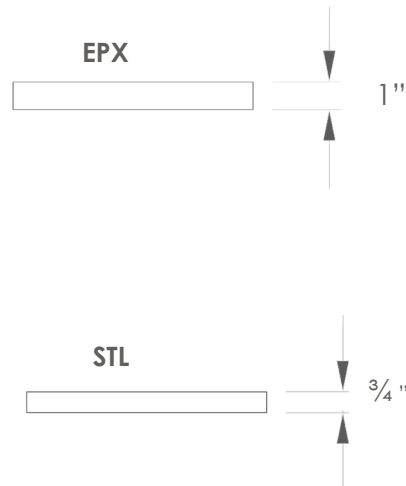
COLOR OPTIONS:

Black, Gray, White

Chemical and Water Resistant.

Susceptible to fading if exposed to direct sunlight for extended periods of time.

WORK SURFACE OPTIONS



EPOXY RESIN:

Specification Source: SECTION 12 3653, LABORATORY WORKSURFACES, by DURCON INC. Greenguard certified 1" thick, $\frac{1}{8}$ " bevel edge sheets cast from modified epoxy resin and nonasbestos inert fillers; compounded mixture cured and thermoset specifically from formulation to provide exceptional physical and chemical resistance required in medium to heavy-duty laboratory environments. Special Order: $\frac{3}{4}$ " thick sheets

COLOR OPTIONS:

Black, Gray*, Graphite*, White*
*additional costs

STEEL:

Stainless steel countertops are heavy duty 16ga thickness made of high nickel content type 304 stainless steel with #4 polish. The underlayment consists of 1-3/8" thick particleboard with melamine backing. 1/4" radius all tops edges and vertical corners. Straight runs are offered, no miter or special edges available. Sink cutouts are available upon request.

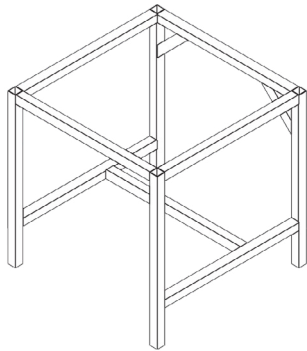
CARE & MAINTENANCE:

The use of harsh abrasives to clean the work surface is NOT recommended. Things like scrubbing pads or powdered cleaning agents should be avoided because they may damage the non-porous surface.

The safest and easiest way to clean a work surface is to use a soft towel, such as a chamois cloth, and a mild cleaning agent, like Simple Green. For the best results over the life of your work surface, cleaning spills as they occur and limiting its time of exposure will prove all that is required to keep the surface finish looking factory new.

Physical properties; minimum acceptable physical performance in accordance with SEFA 3 testing procedures: Specific test results available upon request.

FRAME OPTIONS



SQUARE TUBE STEEL (ELECTRIC RESISTANCE WELDED TUBE):

16ga x 1½" x 1½" HRPO (Hot Rolled, Pickled and Oiled) 1008/2010 steel

16ga x 2" x 2" HRPO 1008/2010 steel

Bead welded at each joint unless bolt-together assembly is specified or necessary.

INSERTS:

For SD 1½" x 1½" : Metal Treaded Adapter w/ Round Clips - 18GA thickness, ½"-13 thread.

For HD 2" x 2" : Metal Treaded Adapter - ¼" thickness, ½"-13 thread.

SURFACE FINISH:

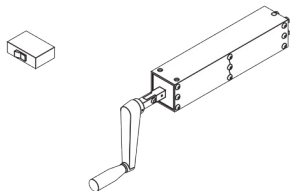
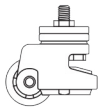
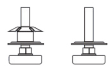
Powder Coated Paint

Electrostatic (4) stage heat-cured process

CARE & MAINTENANCE:

Mild laundry detergent or a mixture using 5% of a commonly used commercial/industrial detergent and water will clean the painted metal surfaces without negatively affecting the frame. All cleaners should be rinsed thoroughly and dried with a soft cloth.

FEET AND HEIGHT ADJUSTABILITY



BENCH FEET

Casters: ½"-13 threaded stem, steel ball bearing, 300lbs ea. load rating, total locking (swivel & wheel)

Adjustable Levelers:

Heavy Duty - ½"-13 threaded stem, 500lbs. ea. load rating.

Heavy Duty Anti-Vibration Levelers: ½"-13 threaded stem, 15 degree swivel, 500lbs. ea. load rating.

CASTER/LEVELER COMBO

HYDRAULIC LIFT (6" or 12" RANGE):

Four synchronized lifting cylinders, manual crank with retractable handle, 1000lbs. maximum capacity, rechargeable/refillable capability.

Options: Manual, Electric, or 6-post.

Zero maintenance required.

ADJUSTABLE LEG KIT:

Adjustable leg kits contain leg inserts with 13 threaded holes for ¾" diameter bolts, two of which are used to secure each leg. This provides of 11" of height adjustment, set at increments of 1". Adjustable Leg Kit, 16GA, 1¼ x 1¼ x 16.63, ½"-13. Set of 4.

Adjustable Leg Kit, 11GA, 1¾ x 1¾ x 16.63, ½"-13 threaded insert. Set of 4.